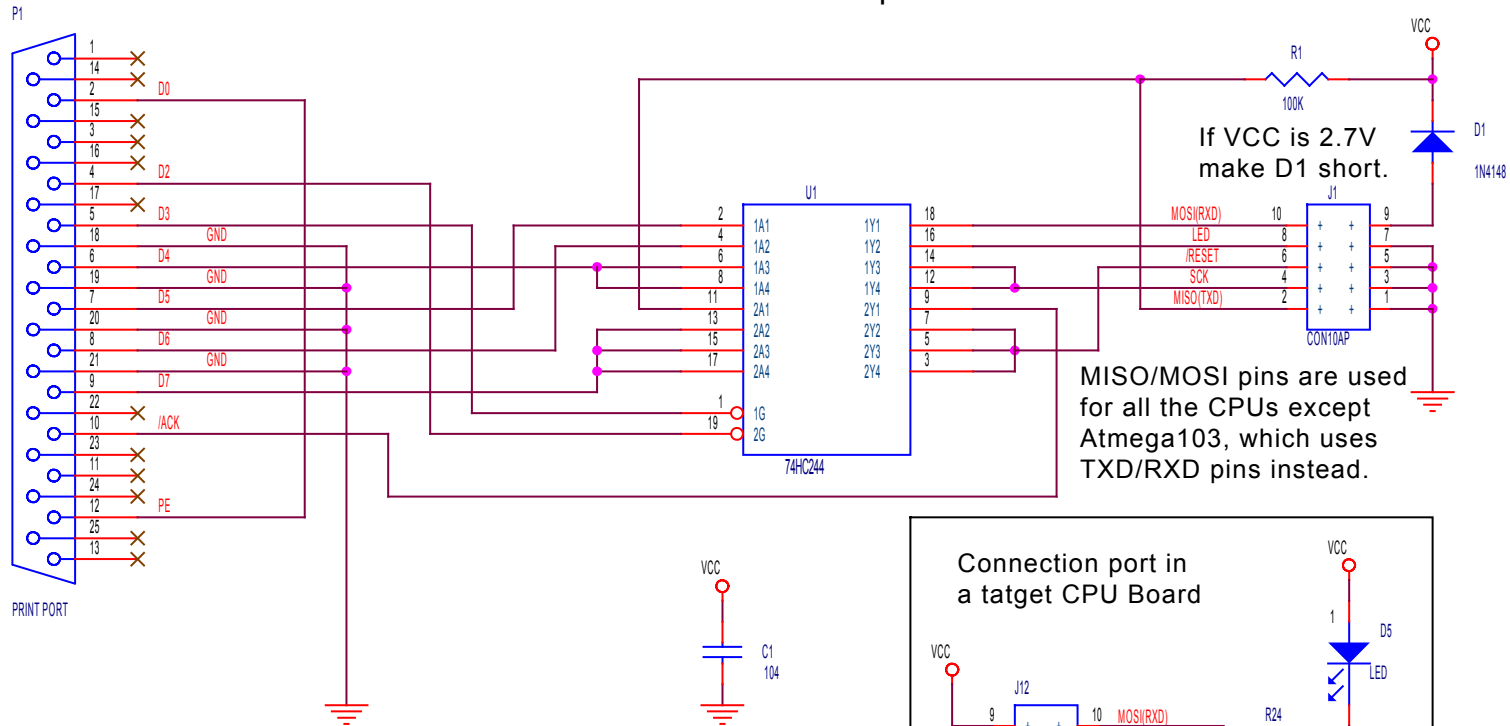


AVR Download Adapter



MISO/MOSI pins are used for all the CPUs except Atmega103, which uses TXD/RXD pins instead.

