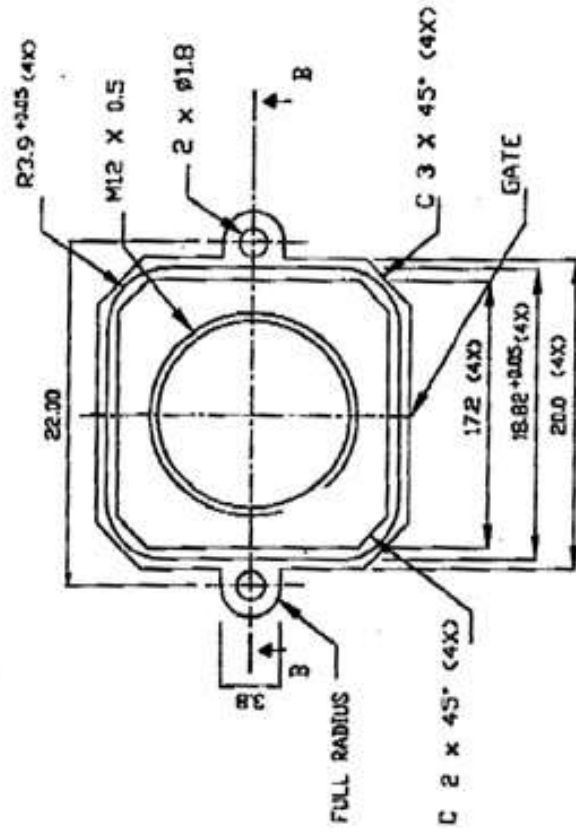


SECTION B-B



CH120016 H=16mm
CH120010 H=10mm
CH120008 H=8mm
Lens Holder

LENS SPECIFICATIONS

1. Model	SK 3720Q1
2. Focal Length	3.7mm
3. View Angle	(1/3°):90°
4. Aperture (fixed Iris)	F# 2.0
5. Back Focal Length	5.5mm
6. Lens Construction	3Group/4Elements
7. Lens Dimension	∅14 X 13.9mm
8. Mount Dimension	M12 X 0.5P
External dimensions are flexible according to customer's requirements	

